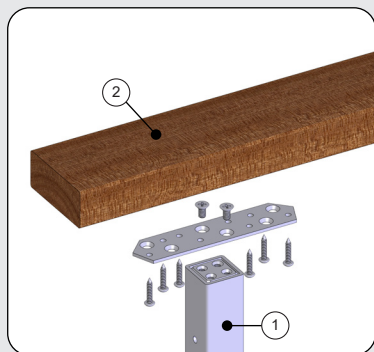


# Top Rail Configurations

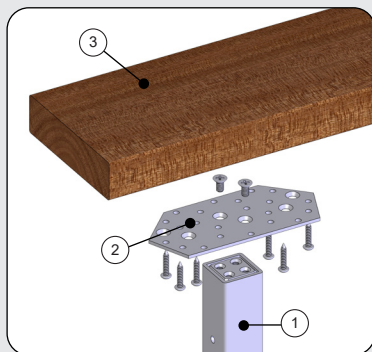


## HARDWOOD



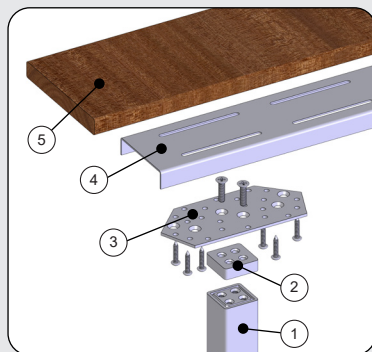
**2" X 4"  
Hardwood**

1. Spectrum Post  
(36" & 42" Systems)
2. Hardwood Top Rail - 2x4



**2" X 6"  
Hardwood**

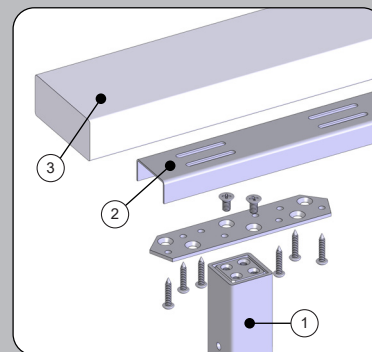
1. Spectrum Post  
(36" & 42" Systems)
2. Wide Mounting Plate  
(S0904-XX53)
3. Hardwood Top Rail - 2x6



**1" X 6"  
Hardwood**

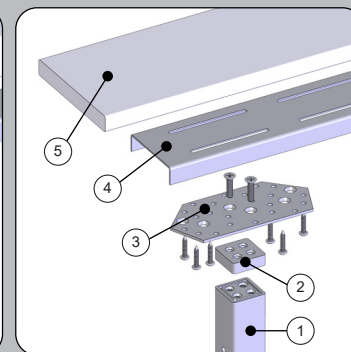
1. Spectrum Post  
(36" Systems ONLY)
2. Spacing Block  
(S0904-XX58)
3. Wide Mounting Plate  
(S0904-XX53)
4. Wide Reinforcing Channel  
(S0904-XX57)
5. Hardwood Top Rail - 1x6

## COMPOSITE



**2" X 4"  
Composite**

1. Spectrum Post  
(36" Systems ONLY)
2. Reinforcing Channel  
(S0904-XX54)
3. Composite Top Rail - 2x4



**1" X 6"  
Composite**

1. Spectrum Post  
(36" Systems ONLY)
2. Spacing Block  
(S0904-XX58)
3. Wide Mounting Plate  
(S0904-XX53)
4. Wide Reinforcing Channel  
(S0904-XX57)
5. Composite Top Rail - 1x6

