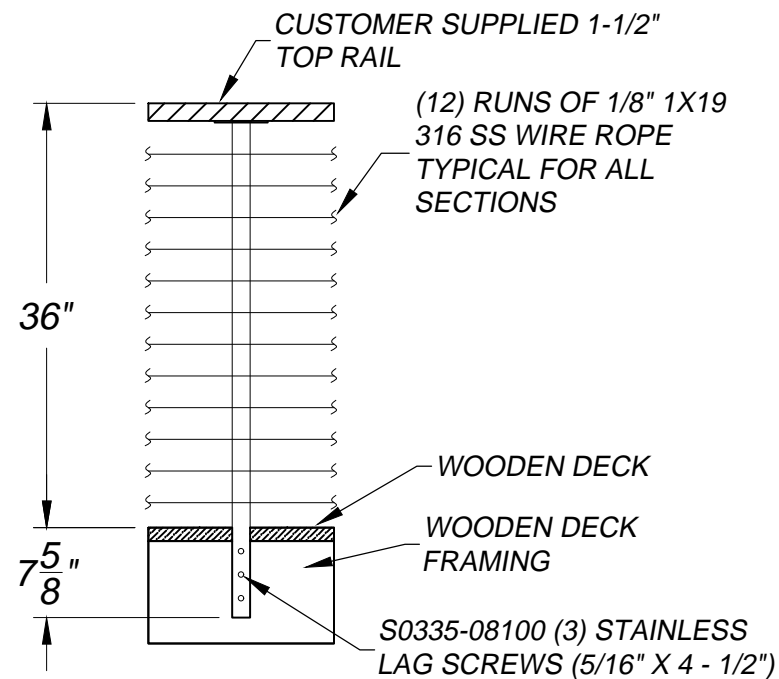


THE INFORMATION CONTAINED IN THIS DRAWING IS THE SOLE PROPERTY OF SUNCOR STAINLESS. ANY REPRODUCTION IN PART OR WHOLE WITHOUT THE WRITTEN PERMISSION OF SUNCOR STAINLESS IS PROHIBITED.

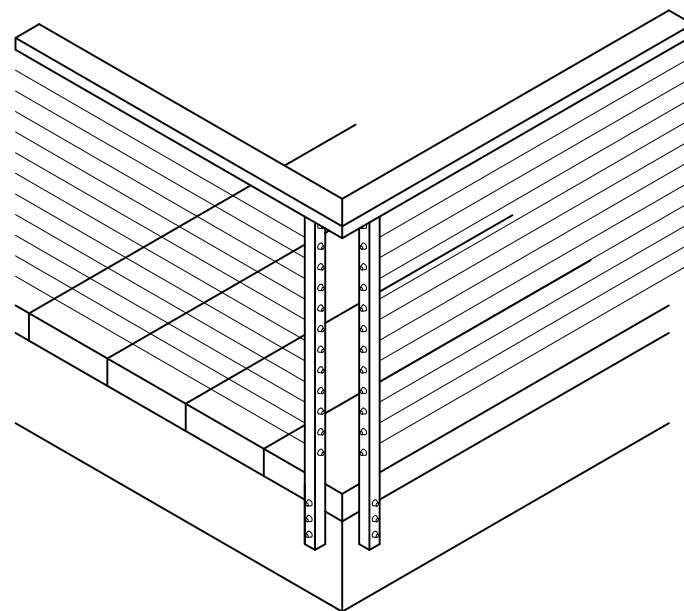
REVISIONS			
REV	DESCRIPTION	DATE	APPROVED
A	SAMPLE DRAWING	6/19/19	NMJ

D

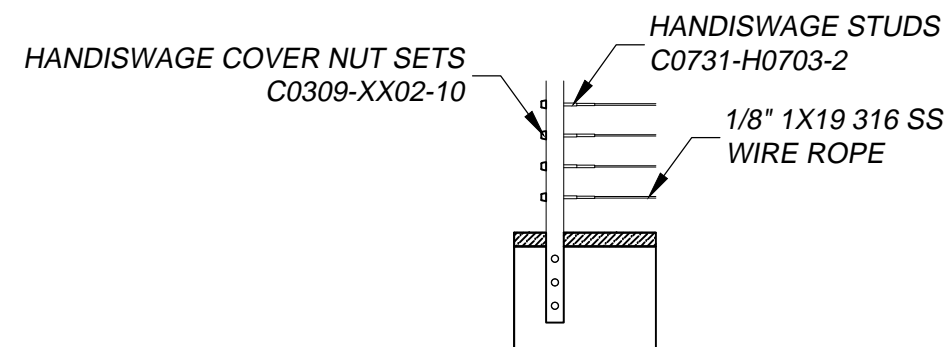
D



DETAIL A - FASCIA MOUNTED 36" SPECTRUM POST
NTS



DETAIL B - DOUBLE POST AT CORNERS
NTS

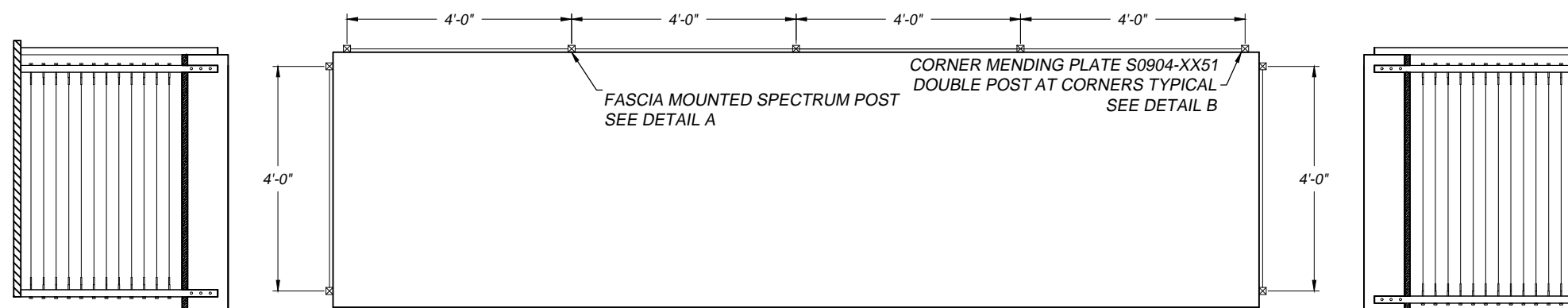
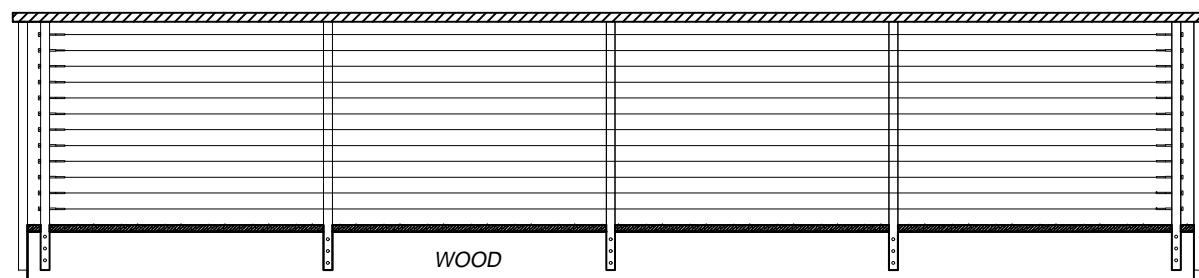


DETAIL C - HANDISWAGE ASSEMBLY
NTS

Deck or mounting area and stair dimensions **MUST** be confirmed by the customer and or contractor. Suncor/Atlantis rail will **NOT** be responsible for errors or misinterpretations of the railing system designed by us based upon customer confirmed dimensions. Additional drawing time to change the design or correct for errors after signing will result in additional costs as well as any changes to parts made per the drawing. Carefully review the drawing before signing and accepting.

PLEASE NOTE:
SPECTRUM SYSTEM POSTS ARE SPACED AT 48" MAX.
DO NOT SPACE POSTS FARTHER THAN THE 48" MAX.

AVAILABLE POSTS:
S0904-XX36 (LEVEL POSTS)
S0904-XX38-ST (STAIR POSTS)
NOTES:
XX DENOTES COLOR OF SPECTRUM POSTS.



PLAN VIEW - DECK AREA
NTS

CUSTOMER SIGNATURE: _____ DATE: _____

UNLESS OTHERWISE SPECIFIED DIMENSIONS ARE IN INCHES TOLERANCES ARE:		CAD GENERATED DRAWING DO NOT MANUALLY UPDATE	
FRACTIONS	DECIMALS	ANGLES	
±1/64"	.X ±0.05	±1/2	
	.XX ±0.01		
	.XXX ±0.005		
DRAWN: NMJ		DATE: 6/19/19	
CHECKED: JS		DATE: 6/20/19	
MATERIAL: 316SS		RESP ENG:	
FINISH: XXX		MFG ENG:	
		QUAL ENG:	

ATLANTIS
RAIL SYSTEMS

36" FASCIA MOUNTED SPECTRUM
SAMPLE DRAWING

SIZE: D	FROM NO.:	ORDER NO.:	REV: A
SCALE: NTS	CAD FILE: xxxxxxxxxxxxxx	XXXXXXXX-XX	
SHEET			

A

A